

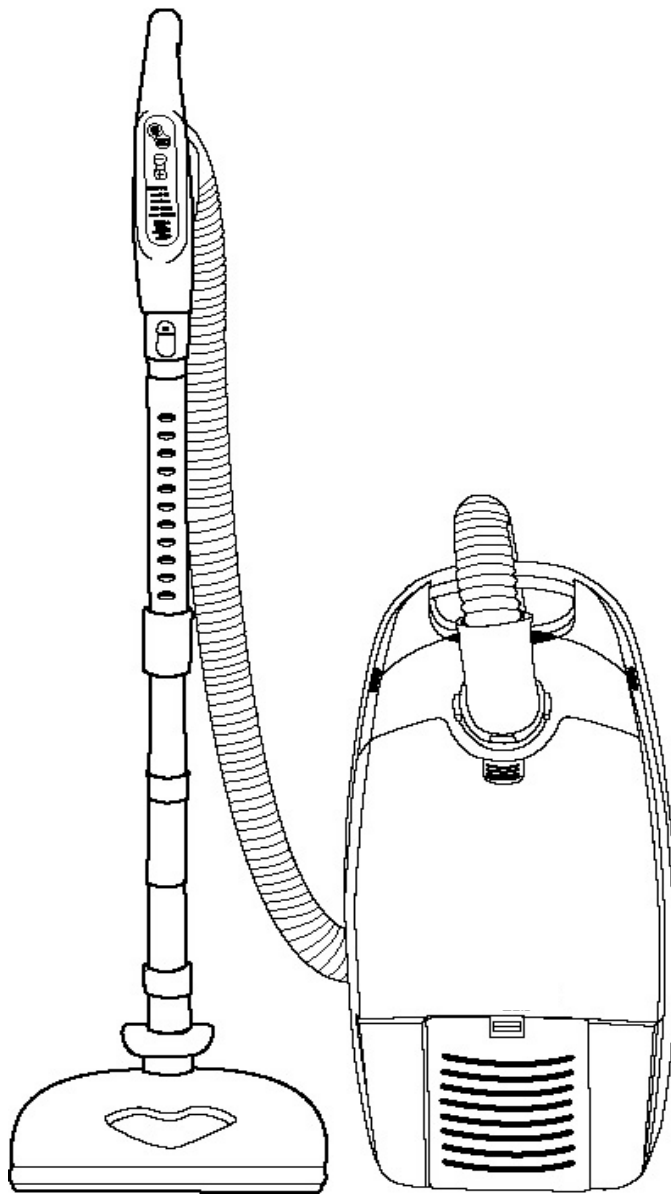


RICCAR®

# Schematics

Model Immaculate

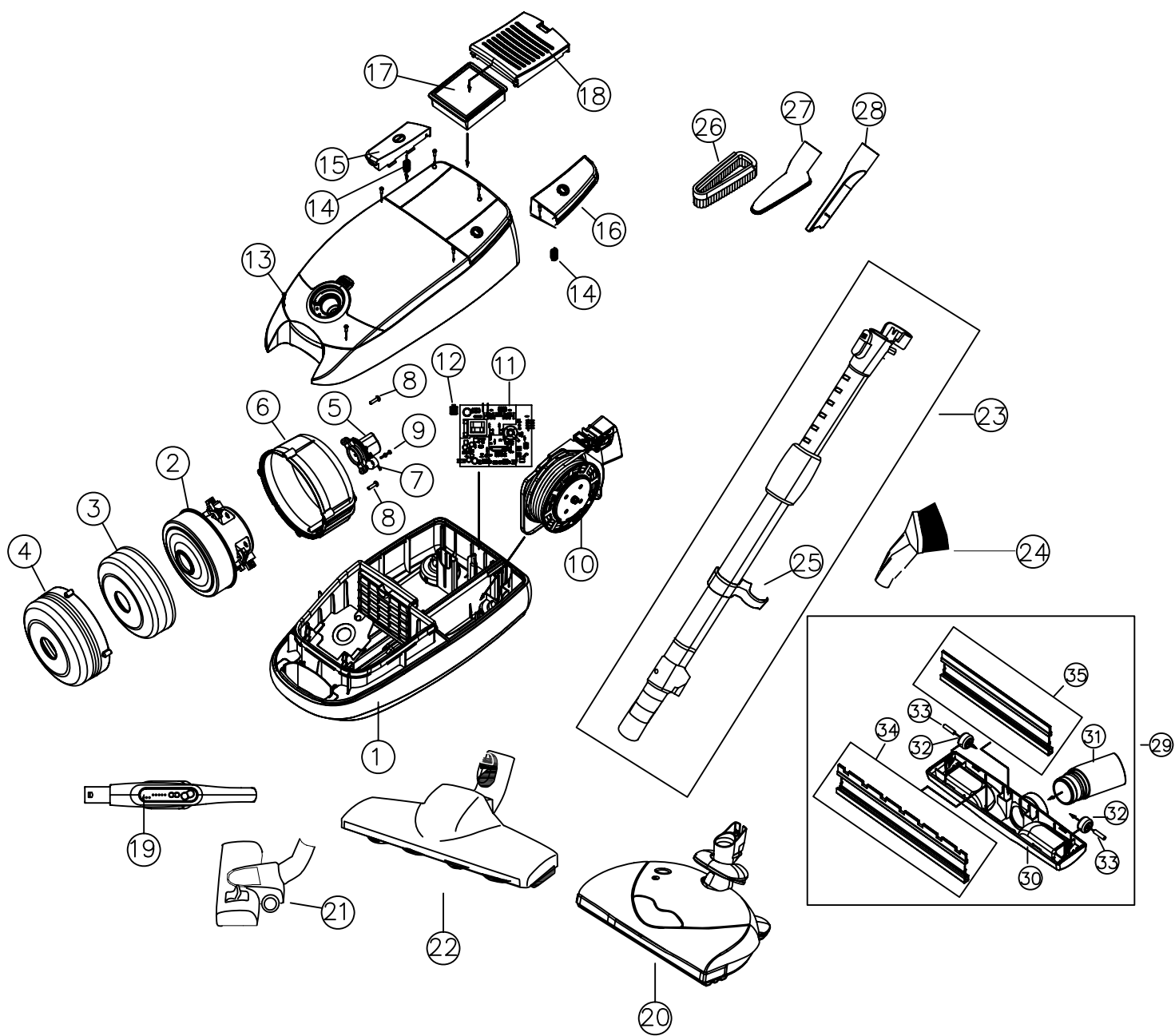
All Versions



LRPB-IMMAC

# MAIN PARTS & ACCESSORIES

# Riccar Model IMMAC



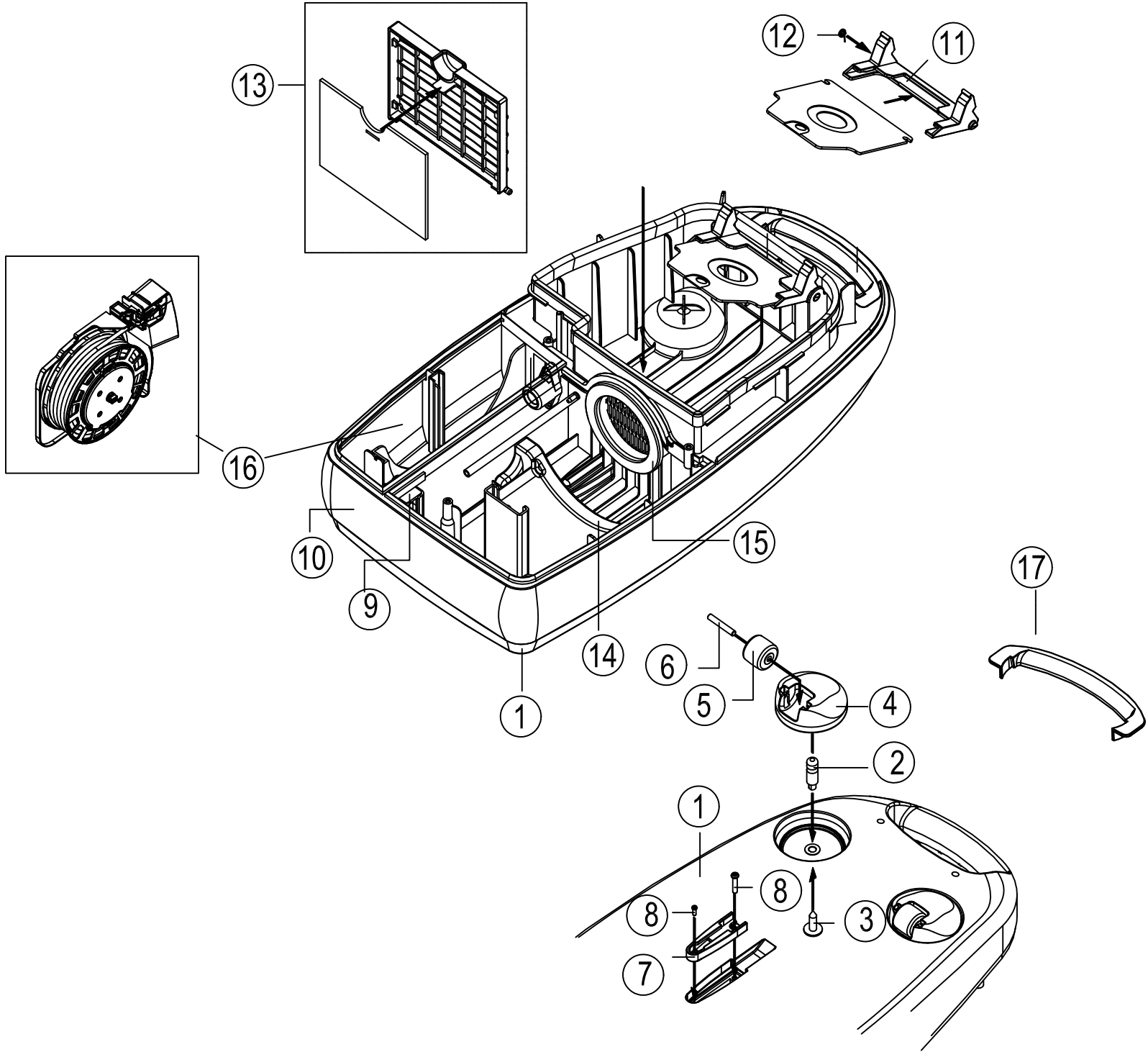
**MAIN PARTS & ACCESSORIES**

Riccar Immac

<b>NO</b>	<b>PART NAME</b>	<b>PART #</b>
1	Dust Compartment Assy	3620411500B
2	Motor	B395-2000
3	Motor Packing	3624008500
4	Front Motor Case	3621106200B
5	Rear Motor Mount	B395-1900
6	Rear Motor Case	3621106300
7	Thermostat	3629002100
8	Screw	A732-9500
9	Screw	A732-8300
10	Cord Reel Assembly	D390-1600
11	Main PCB Assembly (.1-.6)	D395-1700
	Main PCB Assembly (.7 and up)	D395-0900
12	PC Board Fuse	5FJGD1532R
13	Screw Tapping	A732-9600
14	Spring Button	3625110000
15	Button Switch	3626607000
16	Cord Reel Button	3626607100
17	Hepa and Charcoal Filter Set	RF17
	Hepa and Granualted Charcoal Filter Set	RF17G
18	Post Filter Cover	D395-05LG
19	Hose Replacement Kit (.1-.6) (Includes hose, main PCB, connection board, and filter reset board)	D395-0800
	Hose Assembly (.7 and up)	D362-0314
20	Power Brush Assembly	RPB-260.6
21	Floor/Rug Tool	RBFT.2
22	Soft Sweep Floor Tool	RSS-B
23	Wire Integrated Wand	D390-4600B
24	3n1 Tool	C351-1014
25	3n1 Tool Holder	B390-6114
26	Dusting Brush	3629307114
27	Upholstery Tool	3628101614
28	Crevice Tool	3628101514
29	Floor Brush Assembly	3629309400
30	Brush Cover	3621434500
31	Brush Neck	3624414700
32	Rubber Wheel	3624706500
33	Wheel Axle	3624902200
34	Brush Front Assembly	3629309800
35	Brush Rear Assembly	3689309900
	6 Pack Bags (Not Shown)	RHH-6

# BODY ASSEMBLY

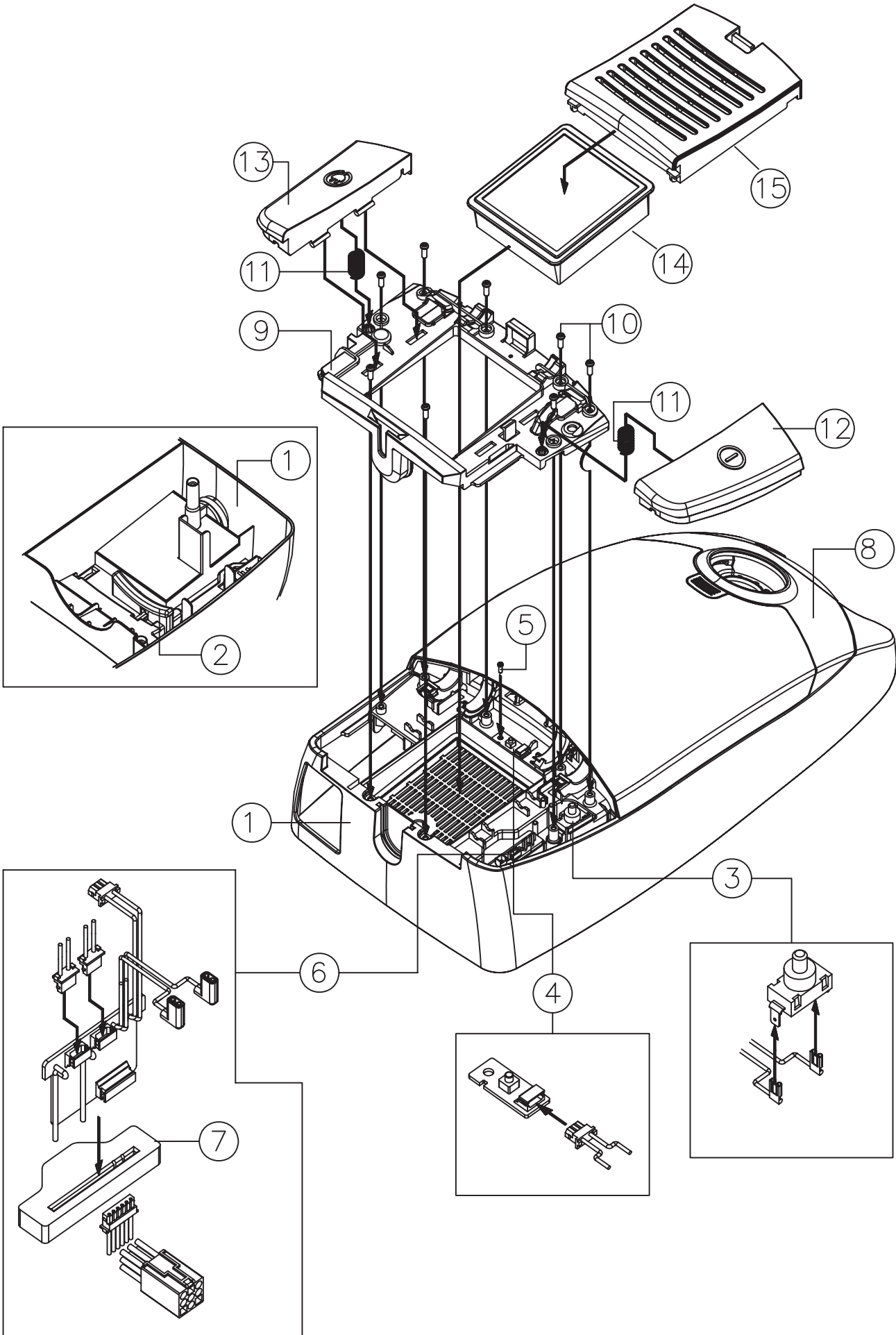
Riccar Model IMMAC



**BODY ASSEMBLY**

Ricar Model Immac

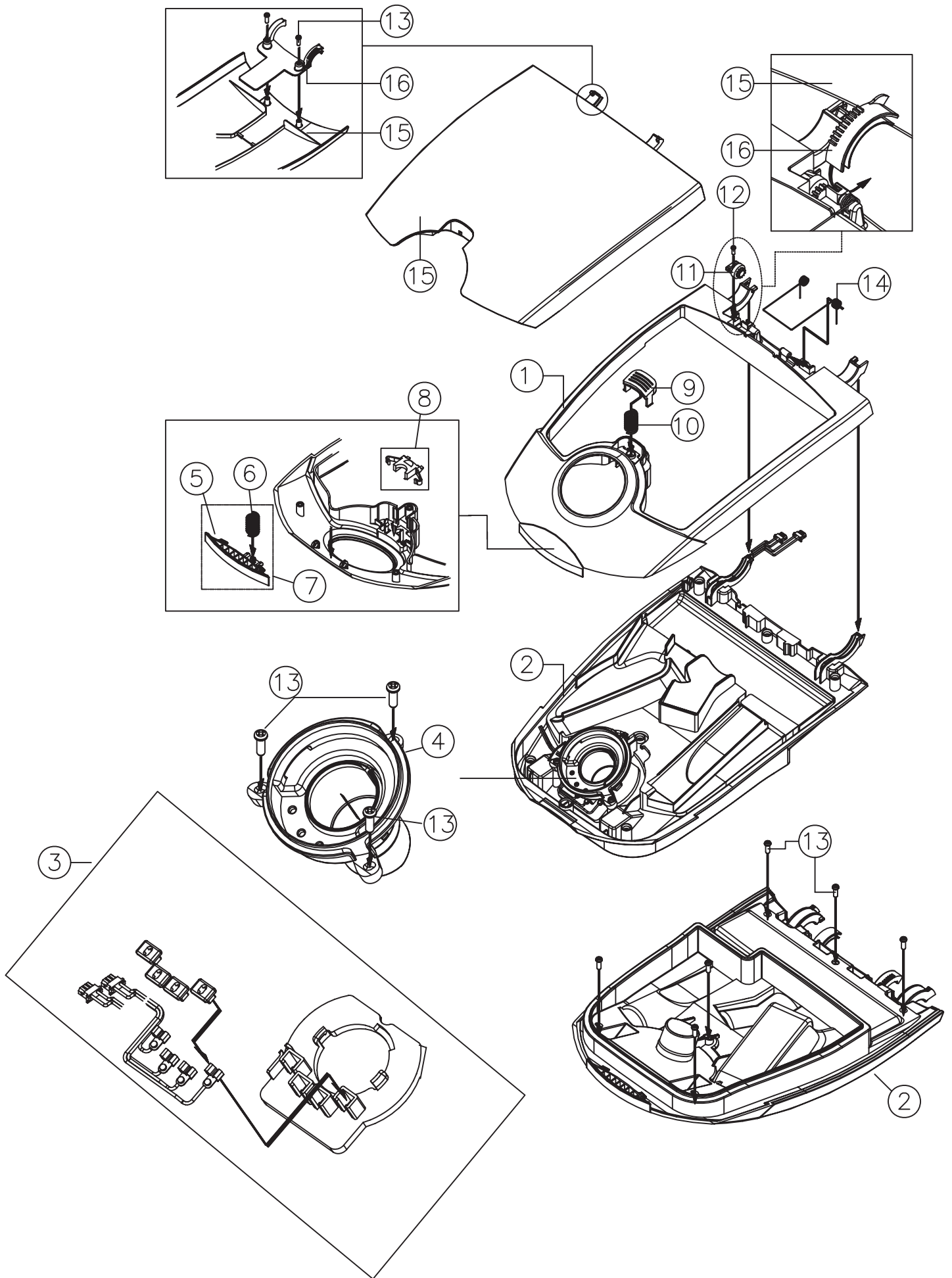
<b>NO</b>	<b>PART NAME</b>	<b>PART #</b>
1	Dust Compartment	3620411500B
2	Caster Shaft	3624902000
3	Screw	7048402012
4	Caster Body	3620602900
5	Caster Wheel	3624706400
6	Caster Wheel Axle	3624902100
7	Parking Bracket	3623007000
8	Screw #8 x 1/2 Hi Lo Pan Head	A733-1500
9	Wire Harness	B395-1400
10	Furniture Guard/Compartment Gasket	3628302000
11	Bag Holder	3623007100
12	Bag Holder Spring	3625109700
13	Secondary Granulated Charcoal Filter	B395-2200
14	Bottom Motor Mount	3620112700
15	Front Motor Mount	3624008400
16	Cord Reel Assembly	D390-1600
17	Handle Insert	362143400



**COVER ASSEMBLY**

Riccar Model Immac

<b>NO</b>	<b>PART NAME</b>	<b>PART #</b>
1	Upper Compartment Body	D395-02LG
2	Upper Motor Mount	3620102800
3	Main On/Off Switch	3629002900
4	Filter Reset Button (.1-.6)	3624314200
	Filter Reset Button (.7 and up)	B395-0200
5	Screw #6x 1/2	A732-9500
6	PC Board Connector (.1-.6)	3624313900
	PC Board Connector (.7 and up)	C395-1000
7	PC Board Mount	3624008600
8	Dust Compartment Lid	D395-03LG
9	Rear Compartment Bracket	3625300600
10	Screw #6x 1/2	A732-9600
11	Cord Reel Spring	3625110000
12	On/Off Button	3626607000
13	Cord Reel Button	3626607100
14	S-Class HEPA Filter (Includes Seal)	RF17
15	Post Filter Cover	D395-05LG





**DUST COVER ASSEMBLY**

Riccar Model Immac

<b>NO</b>	<b>PART NAME</b>	<b>PART #</b>
1	Dust Compartment Lid	D395-03LG
2	Dust Compartment Tool Plate	3624502400
3	Frame Terminal Assembly	D395-1000
4	Hose Cuff Socket	3629801900
5	Dust Cover Latch	3621202900
6	Dust Cover Latch Spring	3625106400
7	Dust Cover Latch Assembly	D395-0100
8	Tool Lid Latch	3621203000
9	Tool Cover Latch	3626606900
10	Latch Spring	3625107900
11	Tool Cover Lid Dampener	3626900200
12	Screw #6x 1/2	A732-9500
13	Screw #6x 1/2	A732-9600
14	Tool Cover Lid Spring	3625110100
15	Tool Lid	D395-04LG
16	Tool Lid Hinge	3622900100